

• Art.-No. 186730 Mobile rotatable clamping device DSV MOBIL with clamping bracket PA-Fix and accessories.

FES fire extinguisher emptying system

Safe clamping, fast emptying



• Art.-No. 186075
The clamping bracket PA-Fix is mounted to a rotatable clamping device DSV STATIONARY or DSV MOBIL. It serves to fasten the suction adapter to the opened fire extinguisher whilst it is upended into the emptying position.



STRENGTHS AT A GLANCE

- SIGNIFICANTLY IMPROVED ERGONOMIC WORKING
- SUITABLE FOR ALL POWDER SUCTION MACHINES
- GREAT TIME SAVINGS WHILST SERVICING FIRE EXTINGUISHERS

WORKING METHOD BY TAKING THE EXAMPLE OF FES MOBIL

- After the fire extinguisher has been removed from the holder it is clamped in the FES. Further manual lifting of the fire extinguisher for emptying is no longer necessary. After opening the extinguisher the suction adapter is placed on the container and fixed into place with the clamping bracket PA-Fix. The rotatable clamping device simplifies aeration of the fire extinguishing powder. With the fire extinguisher "upside down", it can be evacuated with a powder suction machine. The special design of the suction adapter allows air to flow in the fire extinguisher, greatly accelerating evacuation. The emptied fire extinguisher can be subsequently checked and refilled with the powder suction machine.



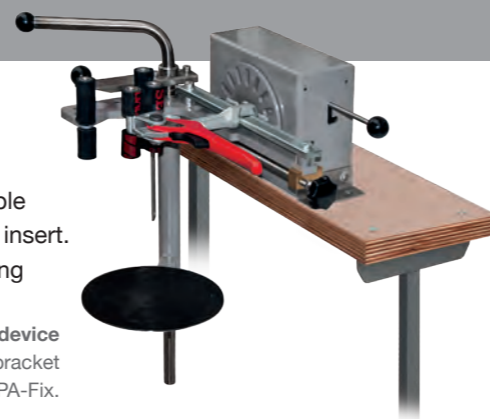
Fire extinguisher emptying system FES

The fire extinguisher emptying system FES consists of a mobile or stationary rotatable clamping device DSV, a clamping bracket PA-Fix, and a suction adapter with reducing insert. Upon request, the clamping bracket and adapter can be retrofitted to an already existing rotatable clamping device DSV.

Accessories (surcharge)

- 1 Art.-No. 186076 FES suction adapter P for cartridge driven powder fire extinguishers
- 2 Art.-No. 186079 Reducing insert for stored pressure extinguishers
- 3 Art.-No. 187119 Suction hose Ø 32 x 1400 mm with earthing cable. Recommended for PSM without earthed suction hose.

• Stationary rotatable clamping device DSV STATIONARY with clamping bracket PA-Fix.



The fire extinguisher emptying system FES is a significant contribution to streamlined maintenance of fire extinguishers. It not only permits the more convenient but also significantly faster evacuation of portable cartridge driven or stored pressure fire extinguishers (6 - 12 kg) with all powder suction machines. The special suction adapter guarantees a high suction speed. The working period per maintenance procedure is significantly reduced. Time savings of approx. 50 % are achieved.



Accessories for FES MOBIL (surcharge)

- 4 Art.-No. 186910 Scales Digi 5000 g, Digit increment 1 g
- 5 Art.-No. 187111 Bracket for scales Digi 5000
- 6 Art.-No. 186004 Vehicle fixture for standing transport
- 7 Art.-No. 186903 Floor scales 30 kg, Digit increment 10 g
- 8 Art.-No. 186556 Stainless steel holder for floor scales 30 kg
- 9 Art.-No. 186557 Tool tray VA
- 10 Art.-No. 187096 Toolbox



T E C H N I C A L D A T A

FES STATIONARY

(EN ISO 12100-1, EN ISO 12100-2)

Art. No. 186735



incl. Clamping bracket PA-Fix Art. 186075. Suction adapter P Art. 186076. Reducing insert for stored pressure extinguishers Art. 186079. **Dimensions:** Height [mm]: approx. 650, Width [mm]: 390-510, Depth [mm]: 365. **Weight [kg]:** 16.1. **Surface:** Powder coating, RAL9007 Grey aluminium.

FES MOBIL

Art. No. 186730



incl. Clamping bracket PA-Fix Art. 186075. Suction adapter P Art. 186076. Reducing insert for stored pressure extinguishers Art. 186079. **Dimensions:** Height [mm]: approx. min. 950, Height [mm]: max. 1340, Width [mm]: 575, Depth [mm]: 750. **Weight [kg]:** 32.6. Transport wheels: Ø 200 mm, roller-bearing mounted. **Surface:** Hammer finish, silver-grey powder coating, RAL9007.

Subject to technical modifications / 03-2020